



# HARMAN WHEELS



*Keep Moving... Effortlessly*

# About Us

I would like to introduce our company "HARMAN AUTOTEX ENTERPRISES" that has been in business of Manufacturing Castor & Trolley Wheels Since 2012.

We have been an Established and popular company with an excellent track record for the best customer the quality and performance of "HARMAN" products has been proven over the years and a wide range of satisfied customers bears the testimony of the excellence and reputation of the products. The Company has a strong 'Brand Loyalty' in States of Punjab, Himachal Pradesh, Haryana, J&K (Jammu & Kashmir) and Southern states.

We are enclosing our products catalogues for your ready reference and would like to add here that in all the design "HARMAN" has distinguished itself by creating benchmark in that specific range of castors by incorporating new designs and providing a precisely engineered product which is reliable & dependable. Being well aware that material handling today is the only area in Industry where human physical power is still used for conveying heavy loads, we try to leave no stone unturned to meet our motto "Keep Moving.....Effortlessly".

It will be a pleasure for us to be called for Techno commercial discussions with your end User department to evaluate suitability of our wide range of castors for your requirements and / or provide you with specific solutions to the problem areas that you might be having in material handling at your works.

We request you to formally register our name in the list of your approved suppliers and look forward to receipt of your valued inquires and orders.

Thanking you and with kind regards,



Gaganpreet Singh Mokha  
(Prop.)

## TROLLEY WHEELS RANGE



PALLET LOAD WHEEL  
CAST PUCI Wheel  
(HEAVY DUTY)



PALLET LOAD WHEEL  
UHMW



CAST PU On  
C.I.Hub  
(HEAVY DUTY)



CAST PU BONDED  
on Aluminum Hub  
(Customised)



PUPC  
(Medium)



PUPC  
(Heavy)



RUBBER BONDED  
on C.I.Hub  
(HEAVY DUTY)



RUBBER BONDED  
on C.I.Hub  
(TREAD TYPE)



RUBBER BONDED  
On Polymer Hub  
(LIGHT DUTY)



Cast Iron Wheel



PPCP  
Polymer Wheel



UHMW  
Virgin Wheel



UHMW  
Commercial Grade



UHMWPE  
Commercial Grade



UHMW  
Poly Steel  
(HEAVY DUTY)



UHMWPE  
On C.I.Hub  
(HEAVY DUTY)



DUROLON



UHMW (GNV)  
Next to Virgin Grade

# CPBT Series - PSPT Model

Light and Medium duty Zinc Plated Pressed Steel Pin Type Castor with Double Ball Race in the swivel head. PSPT Castor fitted with Nylon/PPCP-Red wheel with integrated Dust Guards & Precision Ball Bearings. (Single or Double depending on wheel width)

## PSPT Series : Maximum used in Textile Industries application under Carding Cans



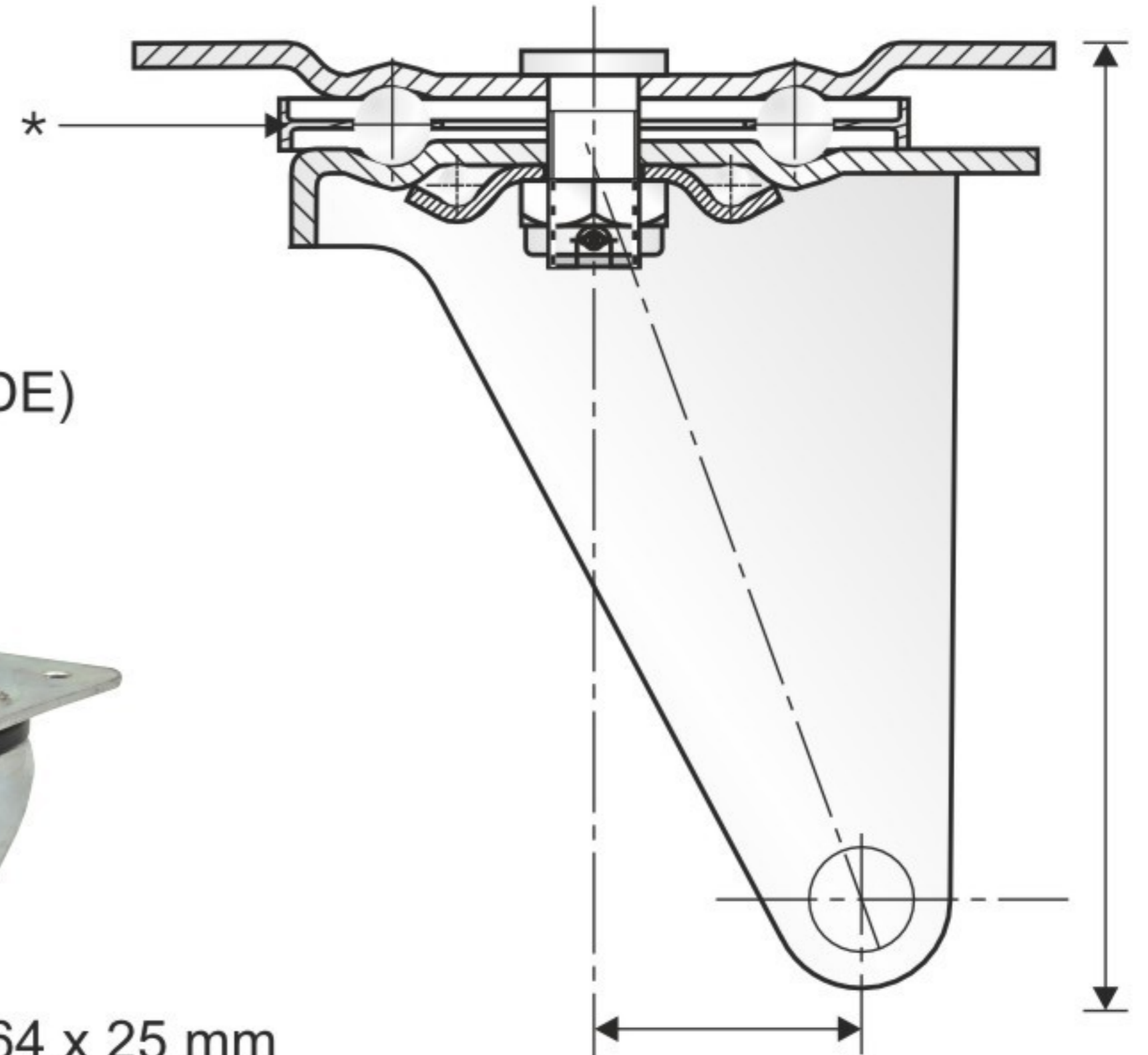
80 x 25 mm  
RED (PPCP)



80 x 25 mm  
(SUMO)  
Nylon (6 Grade)



100 x 32 mm  
NYLON (6 GRADE)



### Draw Frame Cans



60 x 25 mm  
Nylon (6 Grade)



60 x 25 mm  
(Bush Type)



64 x 25 mm  
(SUMO)  
Nylon (6 Grade)

# Heavy Pressed Castors for Material Handling Trolley



4" X 2"  
Swivel  
Eyelet Castor



4" X 2"  
Fix



6" X 2"  
Swivel  
TTR Castor



6" X 2"  
Fix



6" X 2" Swivel  
Eyelet Castor  
Heavy



6" X 2"  
Fix



8" X 2" Swivel  
Eyelet Castor  
Heavy Duty



8" X 2"  
Fix



6" X 2" Swivel  
PU Bonded on Polymer Hub  
(BRAKE)



8" X 2" Swivel  
PU Bonded on CI Hub  
Double Brake System



8" X 2" Swivel  
Eyelet Castor  
Medium



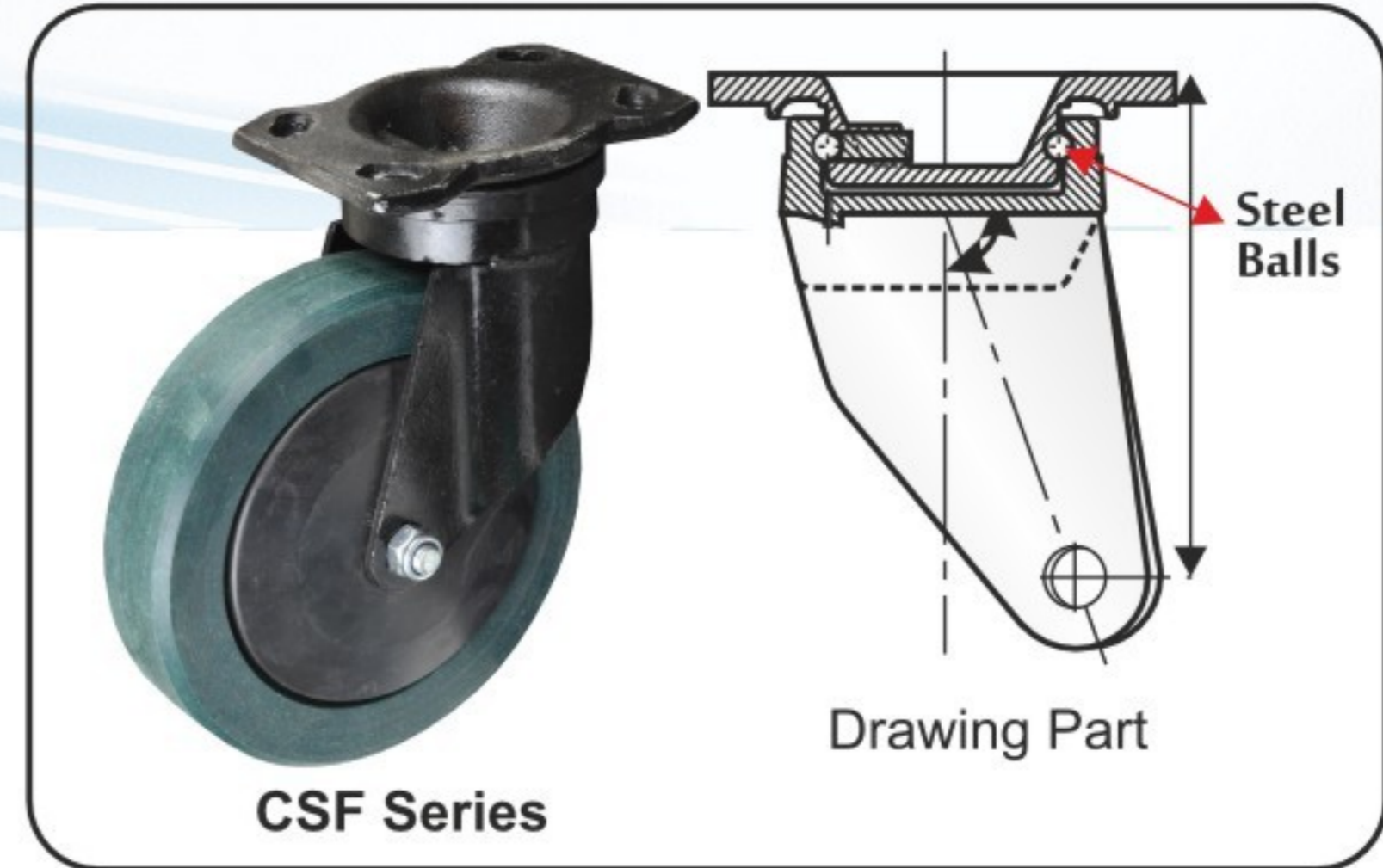
8" X 2"  
Fix

# CSF Series

Heavy Duty Forged Steel Castor Fully CNC Machined Ball Raced.  
(Powder Coated Finish)



Wheel Brake available  
as per Requirement.



CSF Series

# CFBB Series

Heavy duty Mild Steel Castor with Ball Bearing. Which are long lasting and Maintenance free. Smooth Movement.



6" X 2"  
Ny. Bonded on  
Aluminum Hub  
(Swivel Heavy Duty)



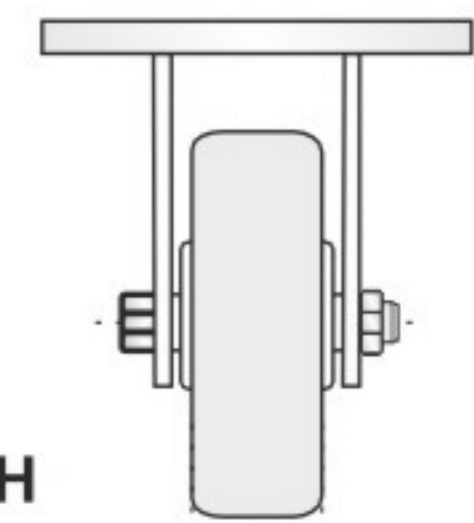
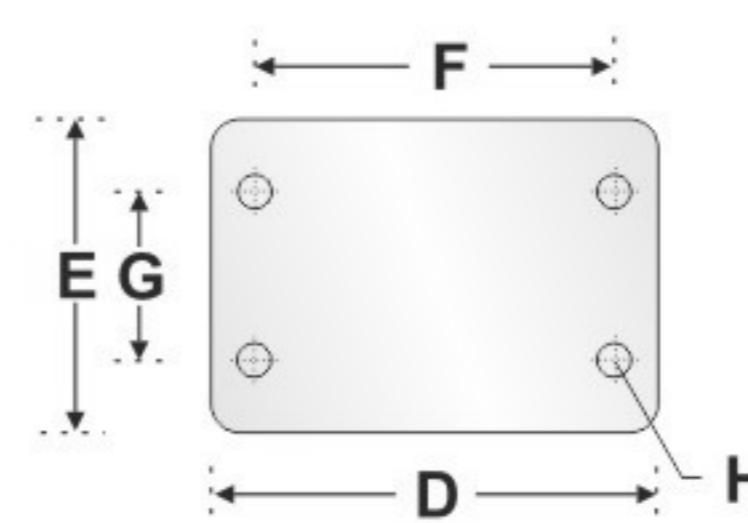
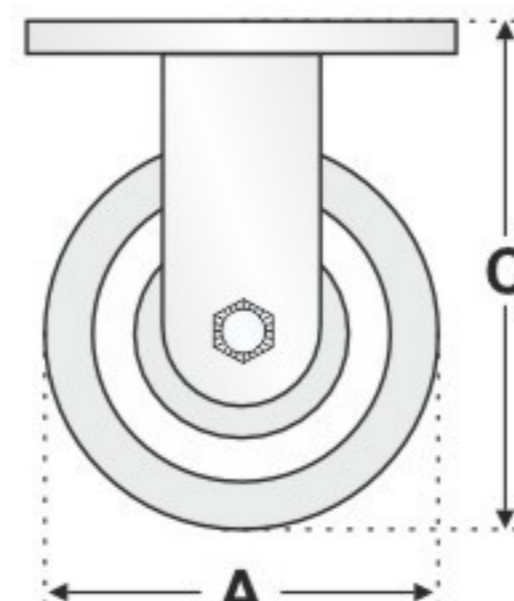
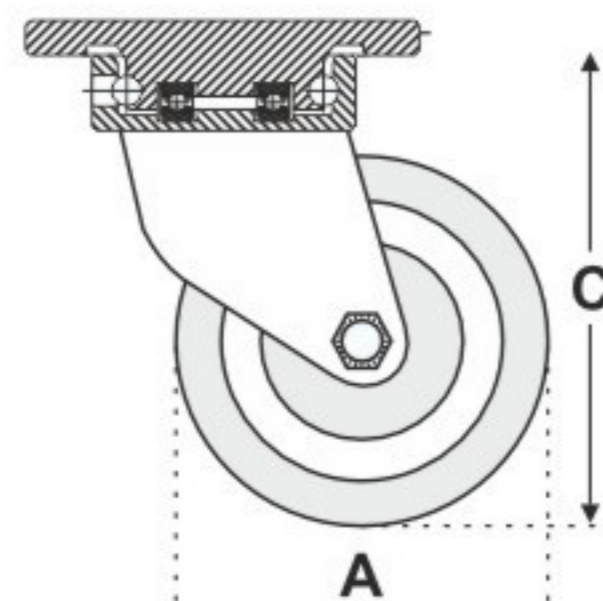
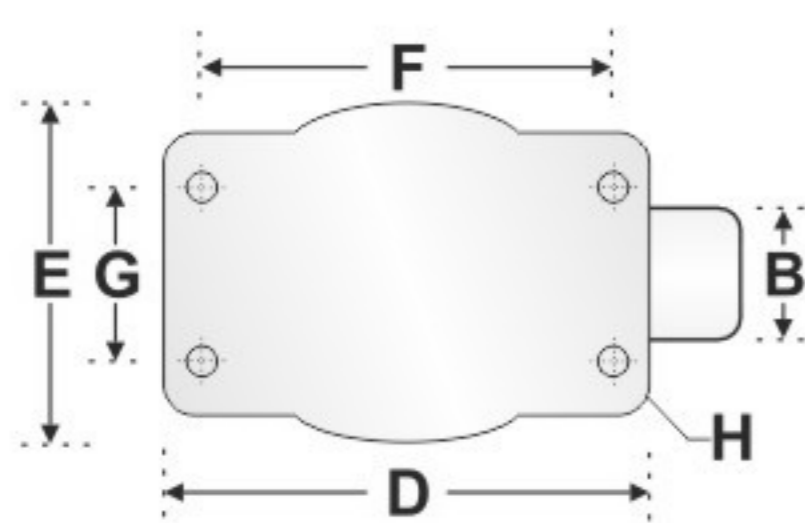
6" X 2"  
PU Bonded on  
Aluminum Hub  
(Swivel Heavy Duty)



4" X 2"  
UHMW Wheel  
50 x 100 Hole PCD  
(Swivel Medium Duty)



8" X 2"  
PU Bonded on  
Aluminum Hub Wheel



## Specifications

WHEEL DIA (inch/mm) A	WHEEL WIDTH (inch/mm) B	Overall Height (mm) C	PLATE SIZE (mm) D x E	Hole PCD (mm) F x G	Hole Diameter (mm) H	Load Carrying Capacity (Kg.) 4 Pcs. (One Set)
4" (100)	2" (50)	140	150 x 105	120 x 60	14.5	500
6" (150)	2" (50)	200	150 x 105	120 x 60	14.5	1000
6" (150)	3" (75)	200	150 x 105	120 x 60	14.5	1300
8" (200)	2" (50)	250	150 x 105	120 x 60	14.5	1500
8" (200)	3" (75)	250	150 x 105	120 x 60	14.5	1800
10" (250)	2" (50)	300	150 x 105	120 x 60	14.5	2000

- A** : Wheel Diameter
- B** : Wheel Width
- C** : Overall Height
- D X E** : Plate Size
- F X G** : Hole PCD
- H** : Hold Diameter

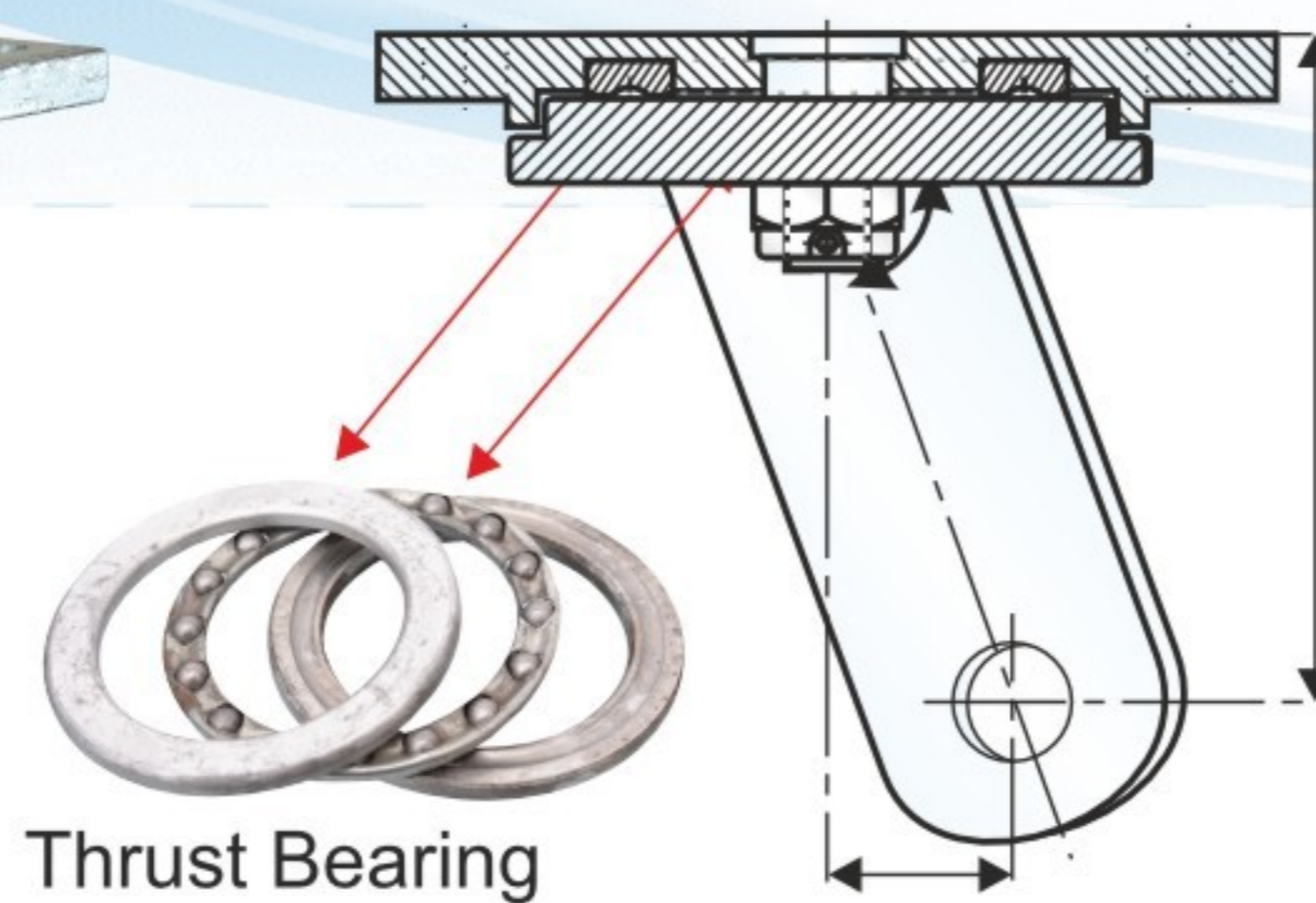
\* All capacities relevant to non-powered applications.

# DTB Series

Heavy duty Fabricated Castor with Double Thrust Bearing for smooth Swivel action.  
Easy to maintain.  
Powder Coated / Paint finish available.



6" x 2" Polymer Wheel Shore D 85  
(Swivel Heavy Duty)



6" x 2" PU Wheel Shore A 90  
(Fixed Heavy Duty)

# SS Ball Fab Series

Fabricated Stainless Steel Castor  
DTB-Series is also available in Stainless Steel (SS-304) Grade  
and is best suitable for Textile, Pharmaceutical,  
Food processing industries.



SS 304 Grade Ball Castor  
with PU Wheel  
(Swivel with Brake System)



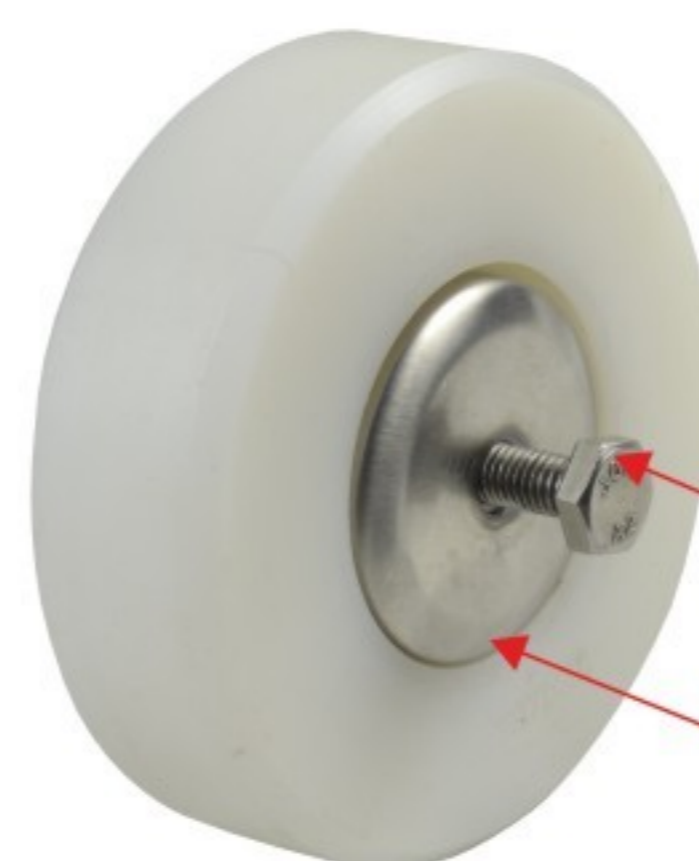
SS 304 Grade Ball Castor  
with PU Wheel  
(Swivel Heavy Duty)



SS 304 Grade  
Thrust Bearing Castor  
Thread Pin with PU Wheel  
(Swivel Heavy Duty)



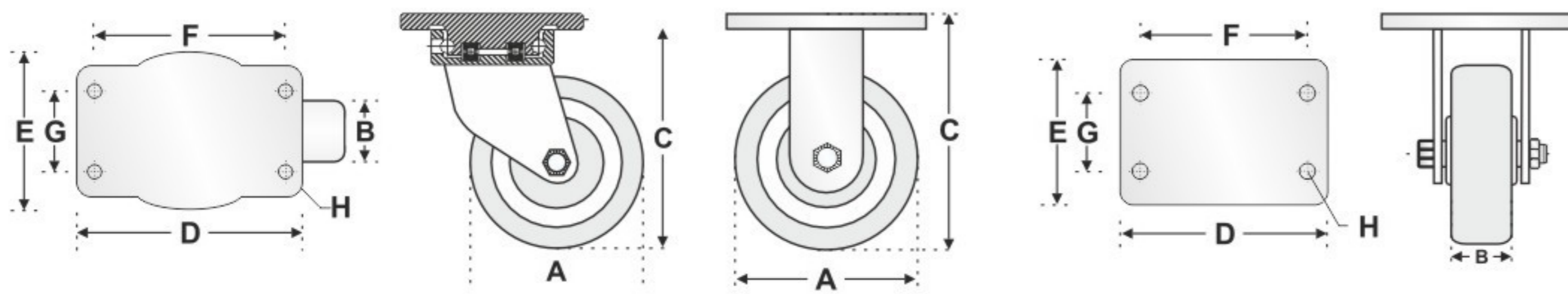
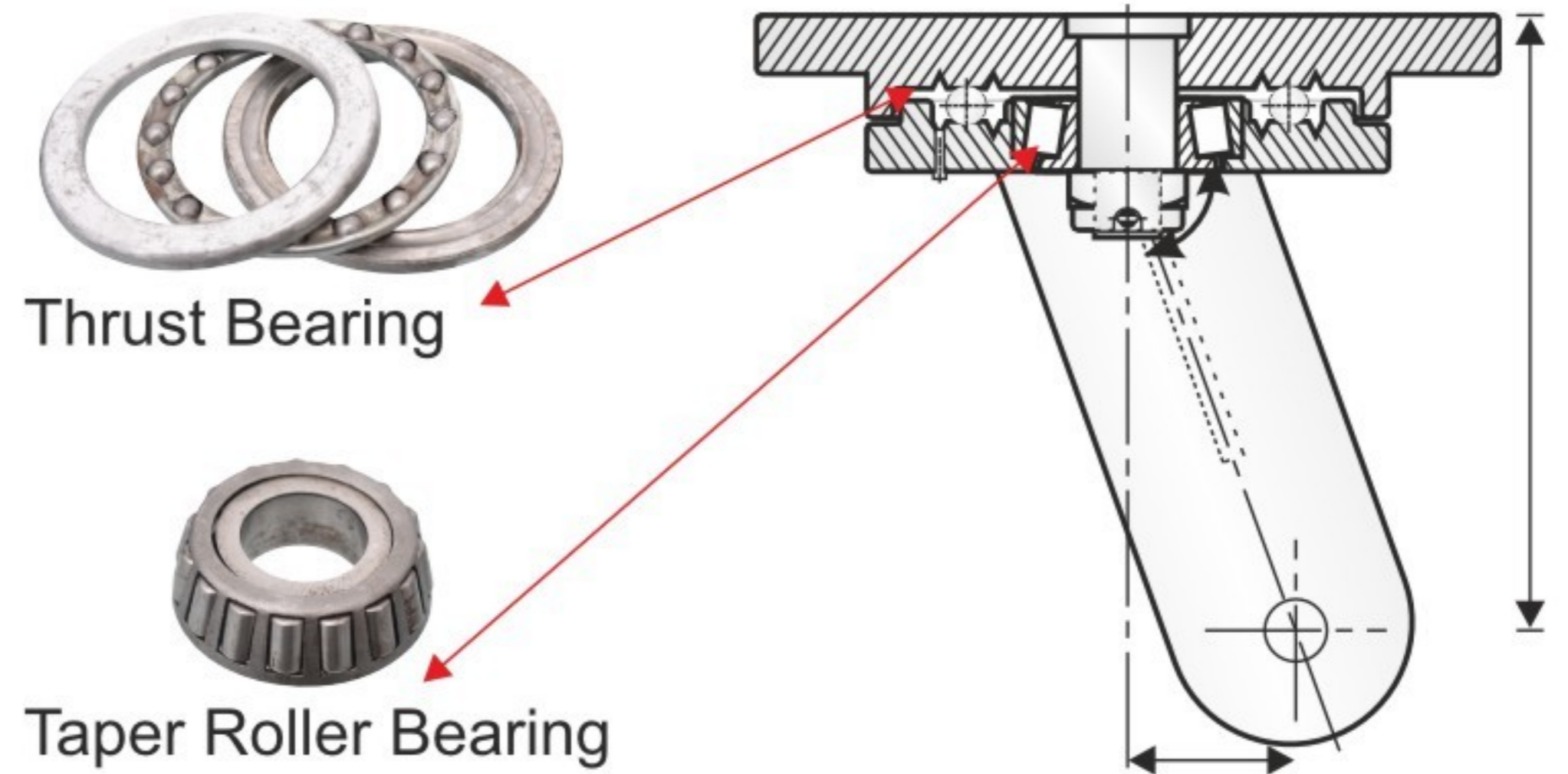
DBC Series  
SS 304  
Fabricated SW Castor  
(Nylon 6 Grade)



SS Nylock  
Nut & Bolt  
SS 304  
Grade Dust Cap

# TTR Series

- Heavy Duty Fabricated Castor fitted with Thrust and Taper Roller Bearing.
- TTR Series Specially designed to carry heavy and Impact Loads.
- Easy to maintain.
- Smooth Movement.



<b>A</b>	: Wheel Diameter
<b>B</b>	: Wheel Width
<b>C</b>	: Overall Height
<b>D X E</b>	: Plate Size
<b>F X G</b>	: Hole PCD
<b>H</b>	: Hold Diameter

## Specifications

WHEEL DIA (inch/mm) <b>A</b>	WHEEL WIDTH (inch/mm) <b>B</b>	Overall Height (mm) <b>C</b>	PLATE SIZE (mm) <b>D x E</b>	Hole PCD (mm) <b>F x G</b>	Hole Diameter (mm) <b>H</b>	Load Carrying Capacity (Kg.) 4 Pcs. (One Set)
6" (150)	2" (50)	200	150 x 100	120 x 60	14	1000
6" (150)	3" (75)	200	180 x 135	120 x 60	14	1500
8" (200)	2" (50)	250	150 x 100	120 x 60	14	1500
8" (200)	3" (75)	250	180 x 135	135 x 90	17	1800
10" (250)	2" (50)	300	150 x 100	135 x 90	17	2000
10" (250)	3" (75)	300	180 x 135	135 x 90	17	2500
12" (300)	2" (50)	350	150 x 100	135 x 90	17	2500
12" (300)	3" (75)	350	180 x 135	135 x 90	17	3000

# TTR Series



8 X 2 Swivel  
UHMW  
Next to Virgin  
(Heavy Duty)



8 X 2 Fix  
Next to Virgin  
(Heavy Duty)



6 X 2 Swivel  
PUCI Wheel  
TTR Series  
(Heavy Duty)



12 X 3 Swivel  
UHMW Polysteel  
TTRH Series  
(Extra Heavy Duty)



OTG-FX  
COVER

## SHOCK ABSORBER RANGE



8 x 2 (FIX)  
Cast PUCI



8 x 2 (SWIVEL)  
Cast PUCI



10 x 3 (FIX)  
Cast PUCI  
(Extra Heavy Duty)



10" x 3" (FIX)  
Castor with PU Wheel  
(Extra Heavy Duty)

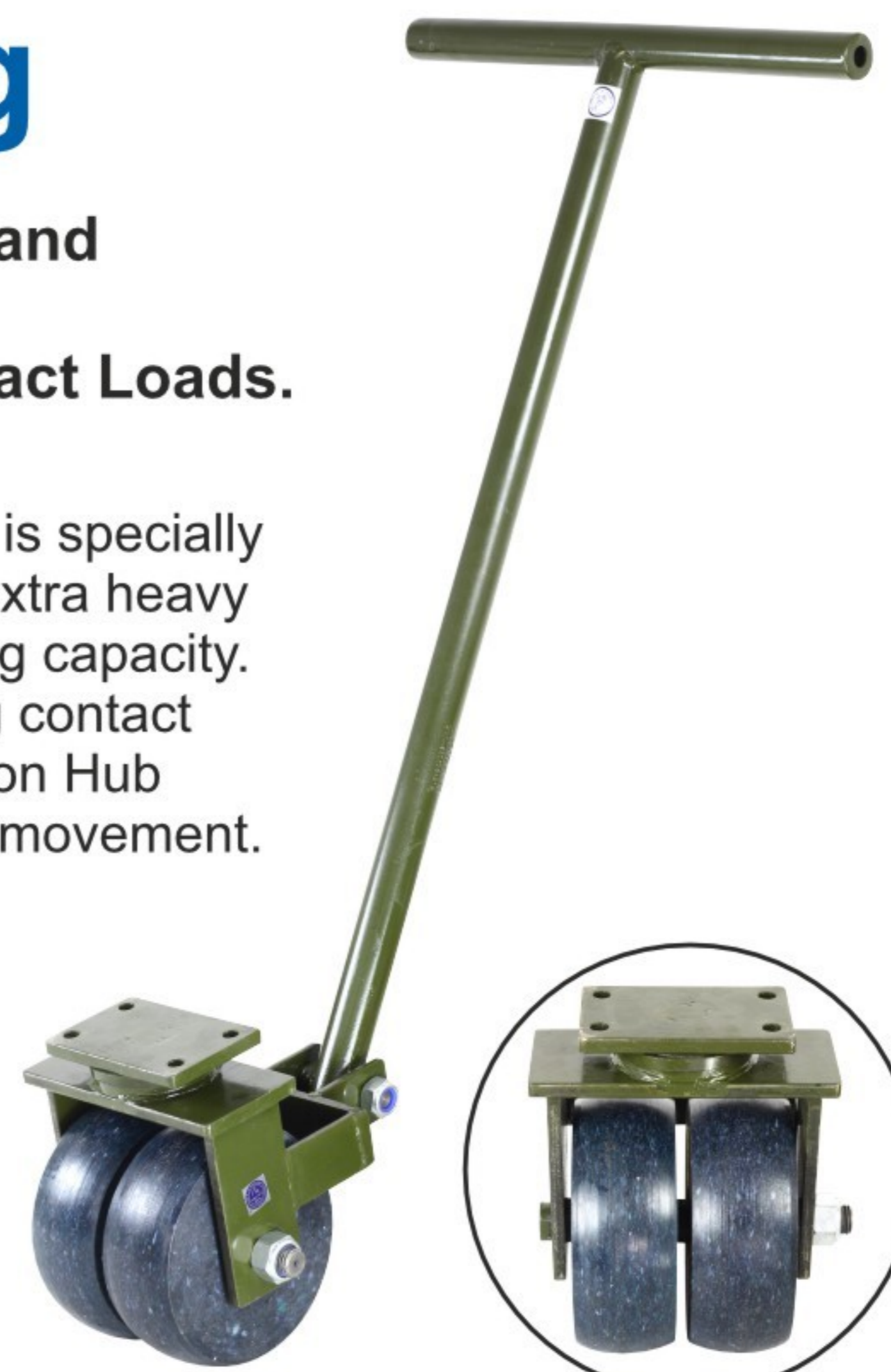
## Dual Wheel with Stearing

- Extra Heavy Duty Fabricated Castor fitted with Thrust and Taper Roller Bearing.
- TTR Series Specially designed to carry heavy and Impact Loads.
- Easy to maintain.
- Smooth Movement.

**UHMW Polymer Moulded on C.I.Hub Wheel (HEAVY DUTY)**



This Wheel is specially design for extra heavy load carrying capacity. Ball bearing contact with Cast Iron Hub for Smooth movement.



# PREMIUM CUSTOMERS



AUTHORISED DEALER

## HARMAN AUTOTEX ENTERPRISES HARMAN WHEELS CO.

Works : Taru Ka Bara, Backside Sartaj Public School, Piparangi Road, Phagwara 144401 (Pb.).

Regd. Office : Plot No. 40, St. No. 5, Friends Colony, PHAGWARA -144401 - PUNJAB

E-mail : harman2011gp@gmail.com

E-mail : harmanwheelsco@gmail.com

Mobile : 098729-86773, 098882-11772

Mfrs. & Suppliers of : Castor Trolley Wheels,  
Deals in : Industrial Conveyor Belts, Polymer Sheets, UHMW Strips, Engineering & Textile Spares